

# Technical data sheet



## Product features

### Cooking range gas 2x burner without cabinet

<b>Model</b>	<b>SAP Code</b>	00004112
--------------	-----------------	----------



- Device type: Gas unit
- Power consumption of the zone 1 [kW]: 4,5
- Power consumption of the zone 2 [kW]: 4,5
- Protection of controls: IPX4
- Material: AISI 304 top plate, AISI 430 cladding

<b>SAP Code</b>	00004112	<b>Power gas [kW]</b>	9.000
<b>Net Width [mm]</b>	328	<b>Type of gas</b>	Natural gas, propane butane
<b>Net Depth [mm]</b>	609	<b>Number of zones</b>	2
<b>Net Height [mm]</b>	290	<b>Power consumption of the zone 1 [kW]</b>	4,5
<b>Net Weight [kg]</b>	16.00	<b>Power consumption of the zone 2 [kW]</b>	4,5

# Technical data sheet



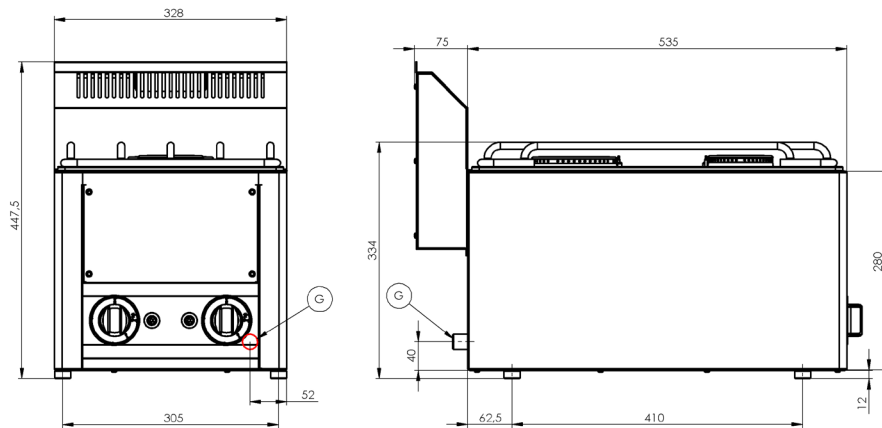
Technical drawing

Cooking range gas 2x burner without cabinet

Model

SAP Code

00004112



### Cooking range gas 2x burner without cabinet

Model

SAP Code

00004112

1

#### Centered high performance burners

- high performance and efficiency
- brass burners removable
- eternal flame
- long life
- demountable
  - energy saving (perfect combustion)
  - time saving for food preparation
  - easy maintenance/cleaning

2

#### Hygienic moldings of the top plate

- absence of sharp corners and edges (potential places where dirt could stick)
- smooth transitions
  - easy quick cleaning

3

#### Degree of protection of the control elements IPX4

- maintenance-free system
- resistance to splash water
- long life
  - savings on service interventions
  - greater job security for staff

4

#### All-stainless design

- long life
- resistance of a ground steel plate with a thickness of 10 mm
  - savings on service interventions
  - easy cleaning and maintenance of equipment

5

#### Safety element – thermocouple

- safe service for staff
- there is no unnecessary gas leakage
- long life
  - savings on service interventions
  - easier and faster operation

6

#### Cooking unit for use on a table or on a base

- variable use
- the possibility of placement in smaller spaces
  - easy handling
  - cost savings on substructure

7

#### Removable basin under the burners

- removable top plate without tools
  - easier cleaning
  - dishwasher safe
  - easier servicing

# Technical data sheet



## Technical parameters

### Cooking range gas 2x burner without cabinet

Model

SAP Code

00004112

**1. SAP Code:**

00004112

**2. Net Width [mm]:**

328

**3. Net Depth [mm]:**

609

**4. Net Height [mm]:**

290

**5. Net Weight [kg]:**

16.00

**6. Gross Width [mm]:**

650

**7. Gross depth [mm]:**

366

**8. Gross Height [mm]:**

440

**9. Gross Weight [kg]:**

18.00

**10. Device type:**

Gas unit

**11. Construction type of device:**

Table top

**12. Power gas [kW]:**

9.000

**13. Type of gas:**

Natural gas, propane butane

**14. Protection of controls:**

IPX4

**15. Material:**

AISI 304 top plate, AISI 430 cladding

**16. Worktop material:**

AISI 304

**17. Worktop Thickness [mm]:**

0.80

**18. Number of zones:**

2

**19. Power consumption of the zone 1 [kW]:**

4,5

**20. Power consumption of the zone 2 [kW]:**

4,5

**21. Number of power control stages:**

6

**22. Adjustable feet:**

Yes

**23. Number of burners/hot plates:**

2

**24. Type of gas cooking zones:**

Brass burners